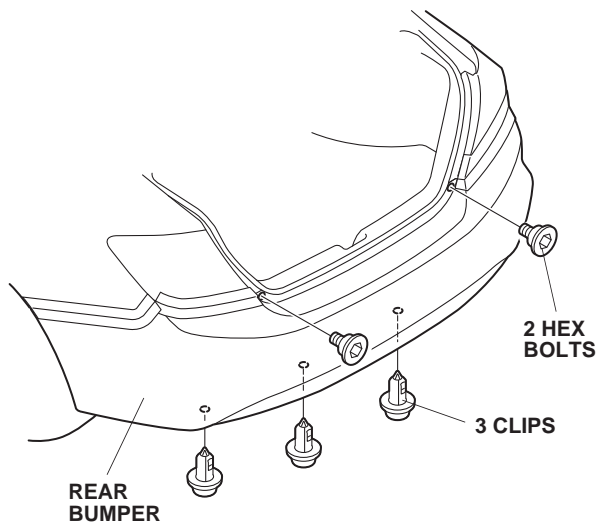
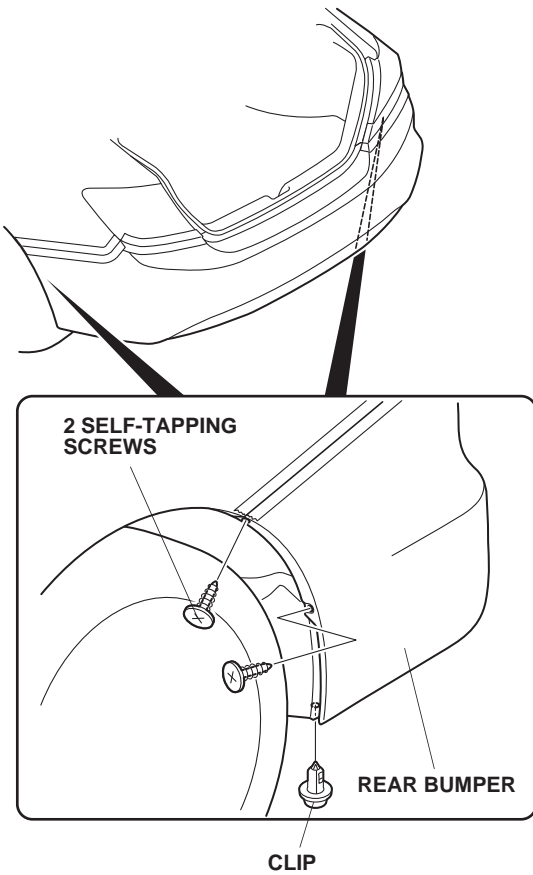


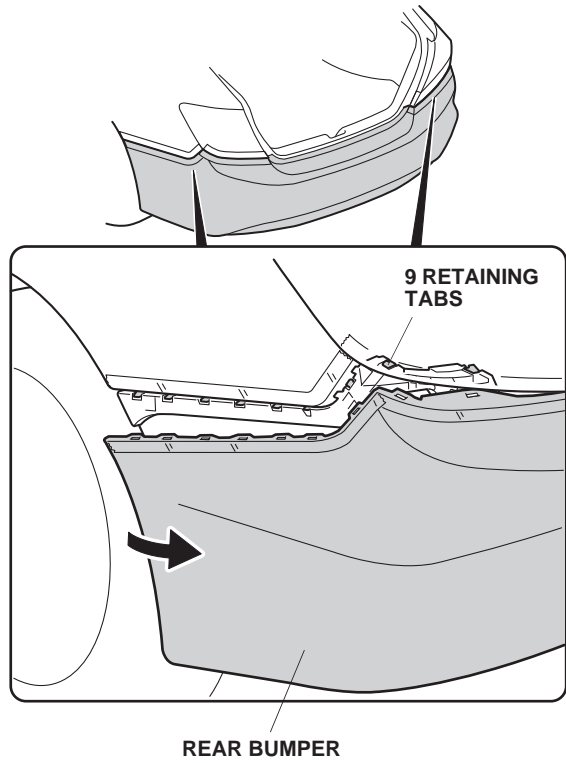
- Remove two hex bolts and three clips.



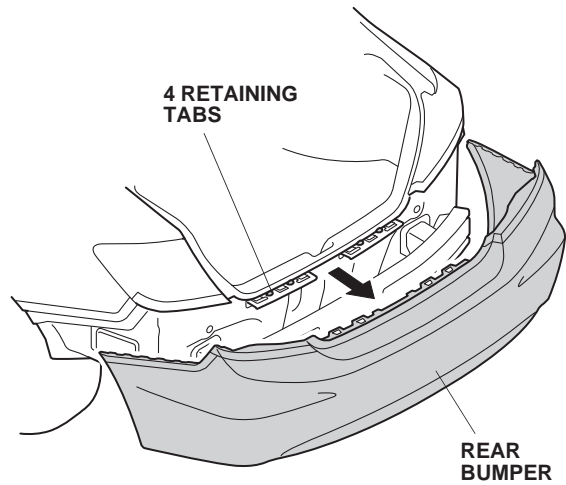
- Remove two self-tapping screws and one clip on each side.



- Release nine retaining tabs on each side.

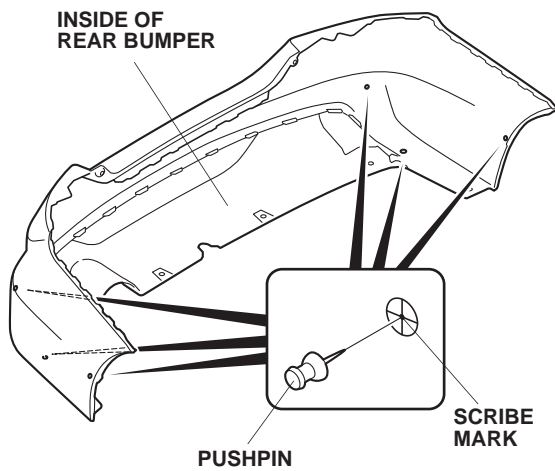


- With the help of an assistant, remove the rear bumper. Set the rear bumper on a blanket to prevent damage.

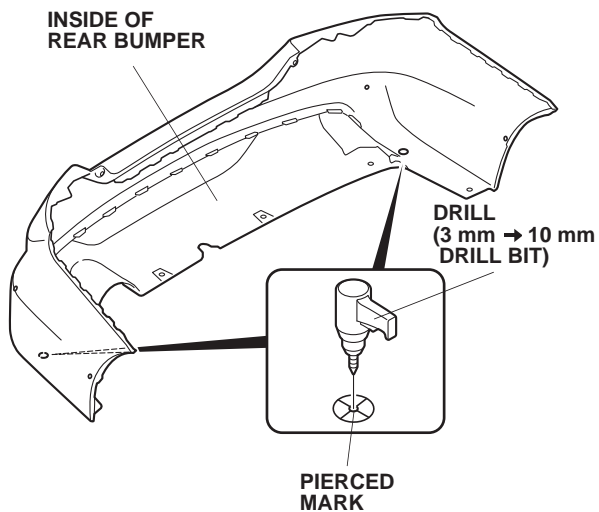


Installing the Rear Under Spoilers

- Using a pushpin, pierce the centers of the six scribe marks on the rear bumper.

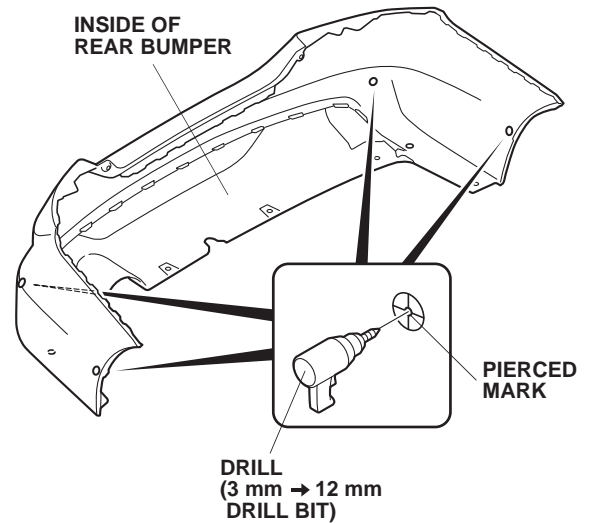


- While wearing eye protection, drill the two lower pierced marks with a 3 mm drill bit, then enlarge the holes with a 10 mm drill bit.

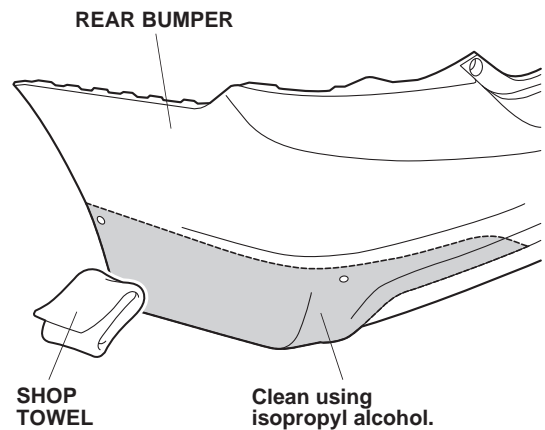


- Use a deburring tool to remove any burrs from the holes.

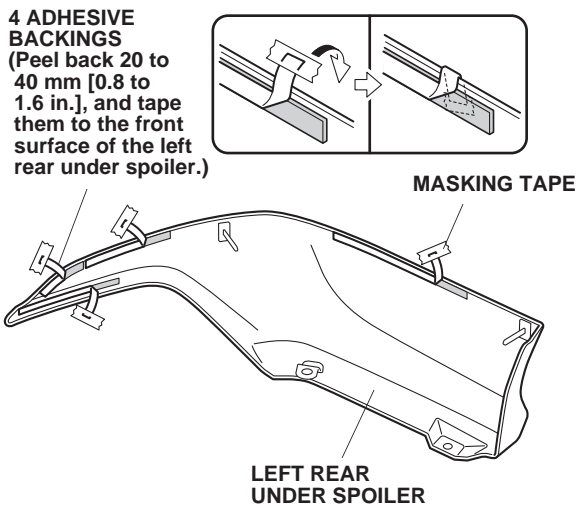
- While wearing eye protection, drill the four upper pierced marks with a 3 mm drill bit, then enlarge the holes with a 12 mm drill bit.



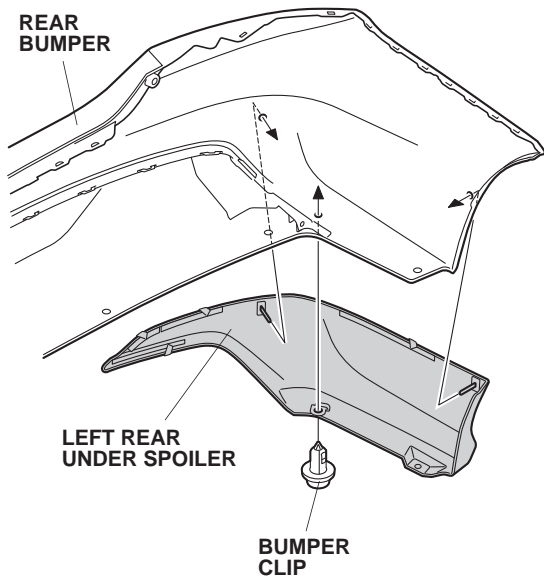
- Use a deburring tool to remove any burrs from the holes.
- Using isopropyl alcohol on a shop towel, thoroughly clean the area where the left rear under spoiler will attach.



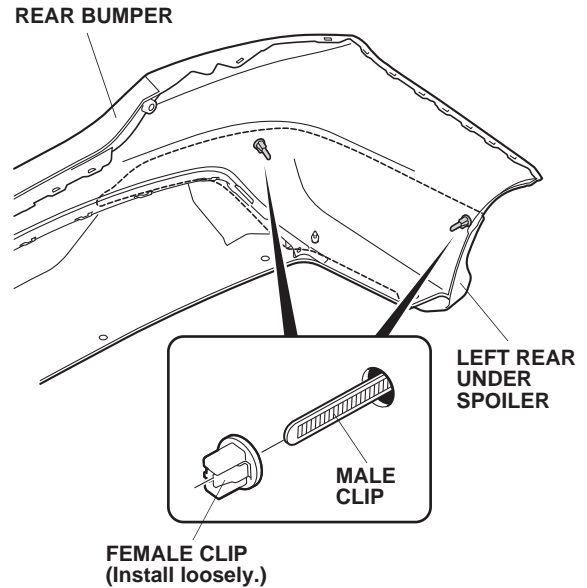
- Peel back about 20 to 40 mm (0.8 to 1.6 in.) of adhesive backing from each adhesive strip, and tape the ends to the front surface of the left rear under spoiler.



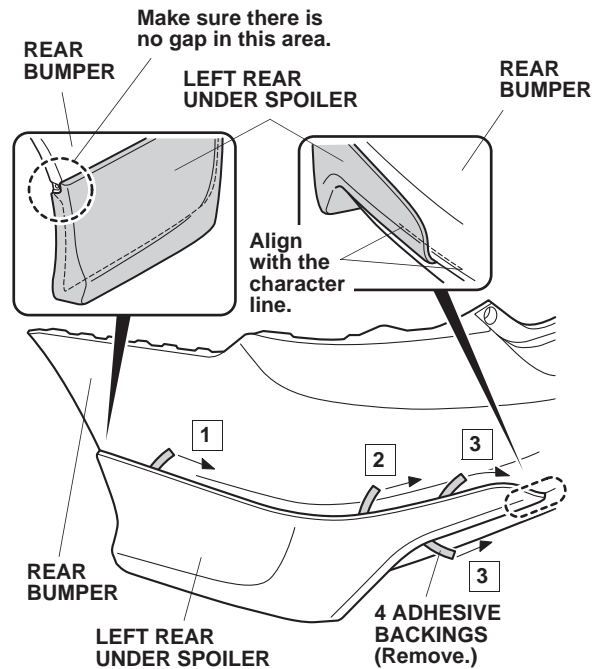
- Install the left rear under spoiler with one bumper clip.



- Loosely install a female clip on each male clip.



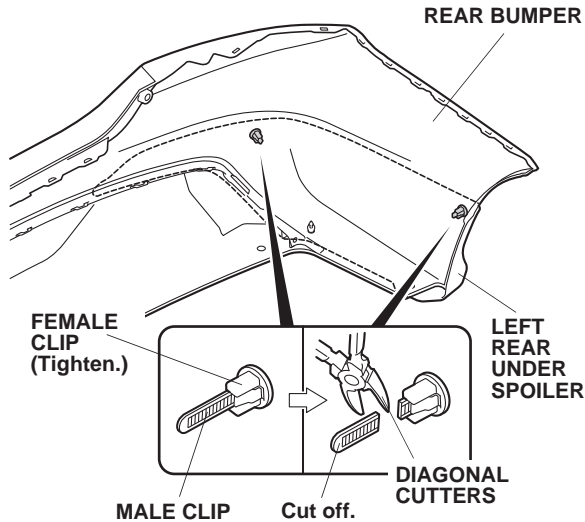
- Align the left rear under spoiler to the rear bumper as shown. Make sure there are no gaps.



- Remove the four adhesive backings in the order shown. Press the left rear under spoiler firmly against the rear bumper with the palms of your hands to set the adhesive.

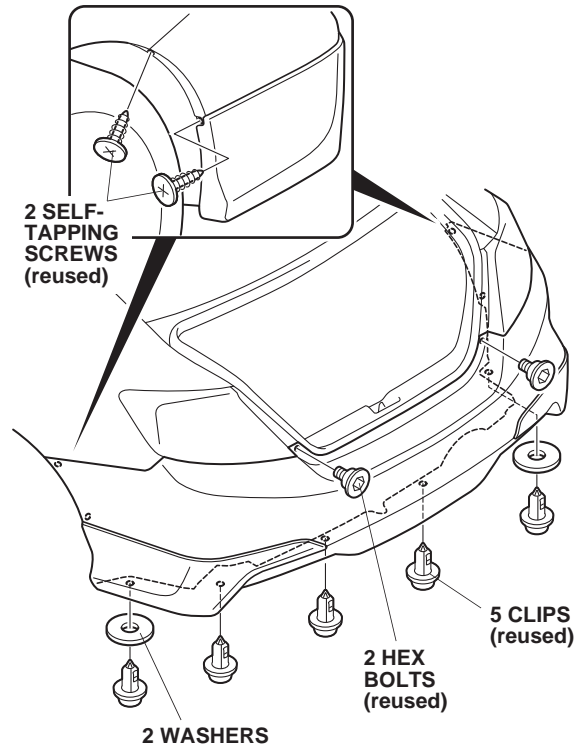
- Tighten the two female clips loosely installed in step 10.

NOTE: Do not install the female clips too tightly, as that may deform the left rear under spoiler. Readjust the female clips, if necessary.



- Using diagonal cutters, cut the excess off of each male clip.
- Repeat steps 7 through 14 to install the right rear under spoiler.

- With the help of an assistant, install the rear bumper with two hex bolts, two washers, five clips, and four self-tapping screws.



- Using a rubber roller, apply firm pressure, especially at the ends, to set the adhesive.

